

**SPECIFICATIONS:**

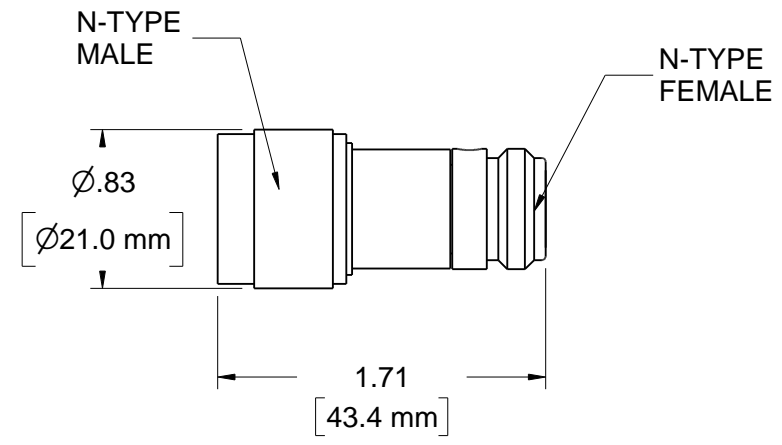
**1. Material and Finish:**

Body: Passivated Stainless Steel  
 Connectors: Passivated Stainless Steel Bodies  
 Passivated Stainless Steel Coupling Nut  
 Gold-plated BeCu Contacts  
 per MIL-STD-348 and MIL-PRF-39012

**2. Electrical Specifications:**

Frequency Band (GHz): 9 kHz - 18 GHz, usable to 22 GHz  
 Insertion Loss: 0.9 dB, maximum  
 Voltage Rating: +50 Vdc, maximum  
 VSWR (maximum):  
 9 kHz to 10 kHz: 1.50:1  
 11 kHz to 18 GHz: 1.35:1  
 Impedance: 50 ohms, nominal  
 Average Power at 25 C: 5 W  
 Peak Power Handling: 100 W

REVISIONS				
ZONE	REV	DESCRIPTION	DATE	APPROVED



DIMENSIONS IN INCHES 3 PLCS +/- .003 2 PLCS +/- .01 FRACTIONS +/- 1/64 ANGLES +/- 1/2 DEG UNLESS OTHERWISE SPECIFIED	DRAWN D. HEFT	DATE 05/20/14	<b>WEINSCHEL ASSOCIATES</b> 19212 ORBIT DRIVE GAITHERSBURG, MD 20879						
	CHECKED								
	QA			<b>DC BLOCK, 9 kHz TO 18 GHz, 50 Vdc                  N-TYPE CONNECTORS, WA6043</b>					
MAT'L: NA	MFG		SIZE <b>A</b>				FSCM NO. <b>0H3E9</b>	DWG NO.	REV <b>1</b>
FINISH: NA	APPROVED		SCALE NONE					SHEET 1 OF 1	

**PROPERTY OF  
 nVISION INDUSTRIES, INC  
 COMPANY CONFIDENTIAL**